

# MRP

## SUPPORTS

MRP SUPPORTS  
3310 N. BENZING ROAD  
ORCHARD PARK, NY 14127-1538  
TOLL FREE: 1-800-828-8424  
PHONE: (716) 332-7673  
FAX: (716) 332-7676  
www.mrpsupports.com

SELECT DESIRED JOIST:

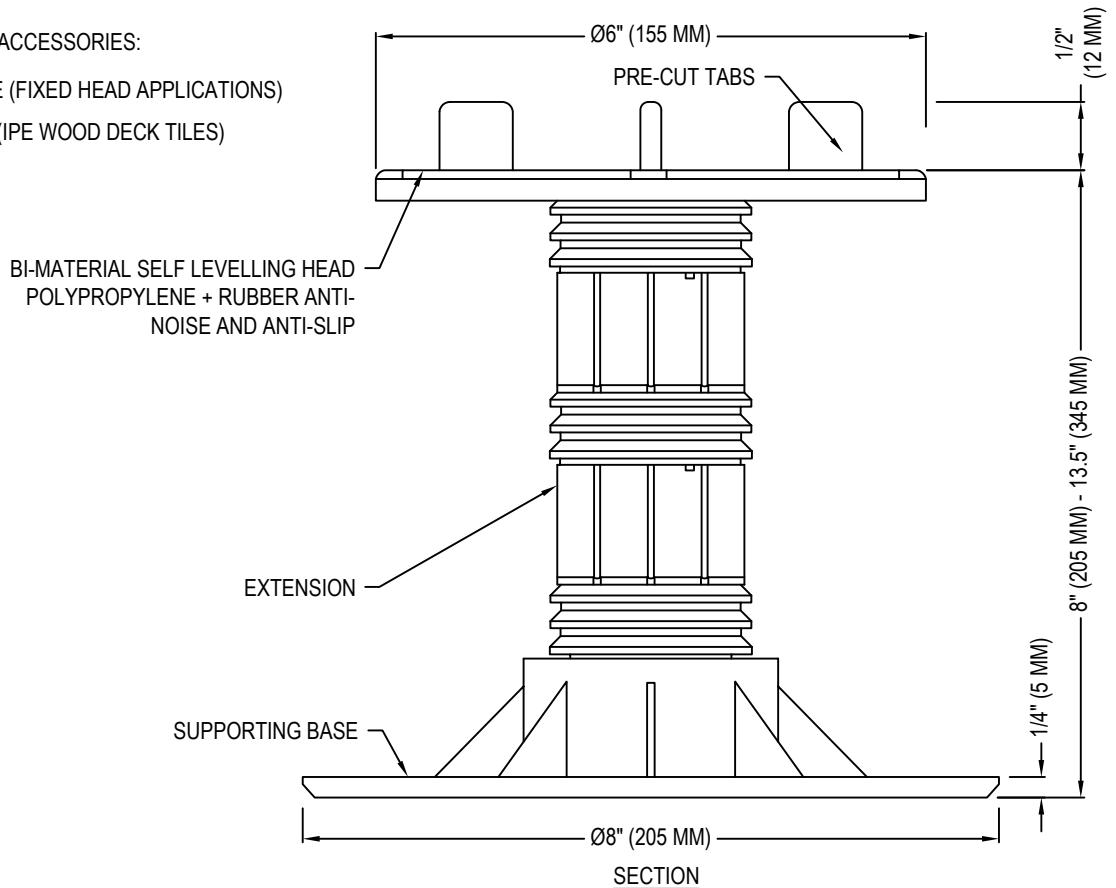
WOOD

ALUMINUM

SELECT DESIRED ACCESSORIES:

LOCKING PIECE (FIXED HEAD APPLICATIONS)

LOCKING PINS (IPE WOOD DECK TILES)



### SPECIFICATIONS:

**MATERIAL:** POLYPROPYLENE AND RUBBER (HEAD TOP FINISHING) [RECYCLABLE MATERIAL]

**TAB WIDTH:** 5/32" (4 MM)

**WEIGHT:** 2.05 LBS (0.93 KG)

**LOAD CAPACITY:** 2205 LBS

**CENTRAL COMPRESSION LOADING LIMIT RESISTANCE:** 15.32 KN

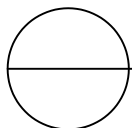
**ECCENTRIC COMPRESSION LOADING LIMIT RESISTANCE:** 11.01 KN

- BASE IS PROVIDED OF HOLES FOR WATER DRAINAGE AND 4 PRECUT LINES TO FACILITATE ANY CUTTING OF THE BASE IN CASE OF NEED.

- LEED CERTIFIED

### NOTES:

1. INSTALLATION TO BE COMPLETED IN ACCORDANCE WITH MANUFACTURER'S SPECIFICATIONS.
2. DO NOT SCALE DRAWING.
3. THIS DRAWING IS INTENDED FOR USE BY ARCHITECTS, ENGINEERS, CONTRACTORS, CONSULTANTS AND DESIGN PROFESSIONALS FOR PLANNING PURPOSES ONLY. THIS DRAWING MAY NOT BE USED FOR CONSTRUCTION.
4. ALL INFORMATION CONTAINED HEREIN WAS CURRENT AT THE TIME OF DEVELOPMENT BUT MUST BE REVIEWED AND APPROVED BY THE PRODUCT MANUFACTURER TO BE CONSIDERED ACCURATE.
5. CONTRACTOR'S NOTE: FOR PRODUCT AND COMPANY INFORMATION VISIT [www.CADdetails.com/info](http://www.CADdetails.com/info) AND ENTER REFERENCE NUMBER 5359-010.



## SELF-LEVELING PEDESTAL SUPPORTS

SE SELF-LEVELING PEDESTAL SUPPORTS: SE9-P