

TECHNICAL DATA SHEET



ADJUSTABLE PAVING SUPPORT NEW MAXI

NM 5



ITEM SPECIFICATION

"New Maxi" type pedestal for raised floors with adjustable height from 5.90" 150mm to 10.63" 270mm, provided of bi-component head with anti noise and anti slip rubber on top. Pedestals are composed by a cylindrical base element of 8" 205 mm diameter for resting on the laying surface, an intermediate screw with a locking security system, and a top head element with 4 easy removable tabs of 5/32" 4 mm thickness. Base is provided of holes for water drainage and of 4 precut lines to facilitate any cutting of the base in case of need. Adjustment in highness is made with the exclusive regulation key that connects with the screw, as it is independent from both base and head.

PRODUCT RANGE

PEDESTAL

PRODUCT NAME

NM 5

CHARACTERISTICS

Adjustable in highness. Bicomponent material (PP and rubber) self leveling head.

Regulation key for highness adjustment

Easy removable tabs

Security lock system to prevent unlocking.

RAW MATERIAL

Polypropylene and rubber (head top finishing)

ENVIRONMENTAL IMPACT

recyclable material - non dangerous

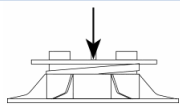
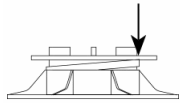
APPLICATIONS SURFACES

On any waterproofing membrane, or any insulating panel or any compact and solid surface

APPLICATIONS AREA

Usable with any prefabricated self sustaining element for exterior flooring

| CHARACTERISTICS | Unit Inches | Unit mm | TOLERANCE |
|----------------------------|-------------|---------|------------|
| BASE DIAMETER | 8" | 205mm | +/- mm 1,0 |
| BASE THICKNESS | 1/16" | 2mm | +/- mm 0,2 |
| HEAD DIAMETER | 6" | 155mm | +/- mm 0,8 |
| LAYING SURFACE OF THE BASE | 49.6sq" | 330cmq | +/- cmq 5 |
| MINIMUM HEIGHNESS | 5.90" | 150mm | +/- mm 1,0 |
| MAXIMUM HEIGHNESS | 10.63" | 270mm | +/- mm 1,5 |
| TABS THICKNESS | 5/32" | 4mm | +/- mm 0,2 |
| TABS HIGHNESS | 1/2" | 18mm | +/- mm 0,2 |
| WEIGHT | 1.29 lbs | 0,583kg | +/- 5 % |

| TECHNICAL PROPERTIES | | UNIT | VALUE |
|--|---|---------|------------|
| CENTRAL COMPRESSION LOADING LIMIT RESISTANCE* <small>(calculated at medium highness, between minimum and maximum extension)</small> |  | KN | 28.60 |
| ECCENTRIC COMPRESSION LOADING LIMIT RESISTANCE* <small>(calculated at medium highness, between minimum and maximum extension)</small> |  | KN | 18.89 |
| SLOPE CORRECTION | | % | 0 - 5 |
| SHORE | | Shore d | 70 (+/- 3) |

*Tests made by Civil and Environmental Department of University of Padova. 1 KN = 98,6 Kg

| PHYSICAL PROPERTIES | METHOD | UNIT | VALUE |
|---------------------------|---------------------|-------|-------|
| FIRE REACTION* | UNI EN 13501-1:2009 | class | E |
| LOW TEMPERATURES REACTION | | | -40° |

*Tests made by Giordano S.p.A. Institute of Bellaria-Iaeca Marina (RN)-Italy

| PACKAGING AND STORAGE | |
|-----------------------|-----------------|
| PIECES PER BOX | 20 |
| PIECES PER PALLET | tbd |
| BOX DIMENSION | 18" x 18" x 18" |
| BOX WEIGHT | tbd |
| PALLET DIMENSION | tbd |

The packing of the supports is made of boxes. The final pallets are wrapped with a polyethylene film. We recommend to store indoor, pallets to be protected from the rain.

| LAYING OF THE PRODUCT | |
|-----------------------|---|
| | The product is simply laid on the laying area, with no need of any glue or fixing |

The above data are relevant to current production and may be changed or updated by MRP Supports (Eterno) at any time without notice.

Given the many possible uses and the possible interference of external elements, we do not assume responsibility for the results. The buyer is required to establish under their own responsibility the suitability of the product for the intended use. This document is property of MRP Supports (Eterno). All rights reserved.



MRP SUPPORTS, LLC
3310 N Benzing Road
Orchard Park, NY 14127
Ph: 800-828-8424
Web: www.mrpsupports.com
Email: mrp@mrpsupports.com

