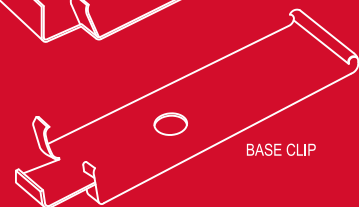
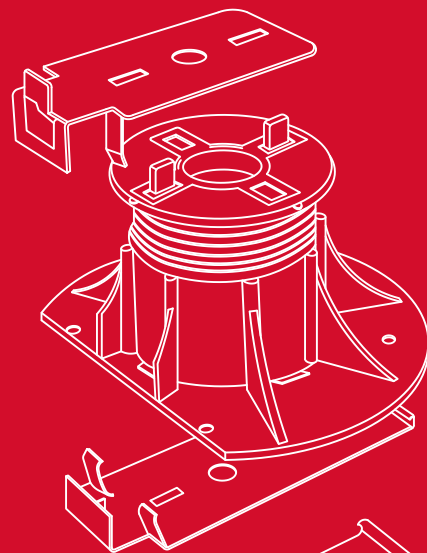
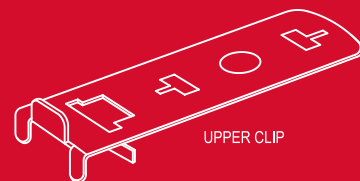


The Vertical Closure Clips were designed to contain the system when no perimeter wall is present. Compatible with porcelain tiles **ONLY**, the closure clips effectively prevent horizontal movement of the finished terrace. The clips can also be utilized to create different levels or steps. The system consists of two special stainless-steel clips that attach directly (no additional hardware necessary) to the base and head of our pedestal supports. It creates a firm setting capable of gripping the section of the floor to fill the gap.

Specifications

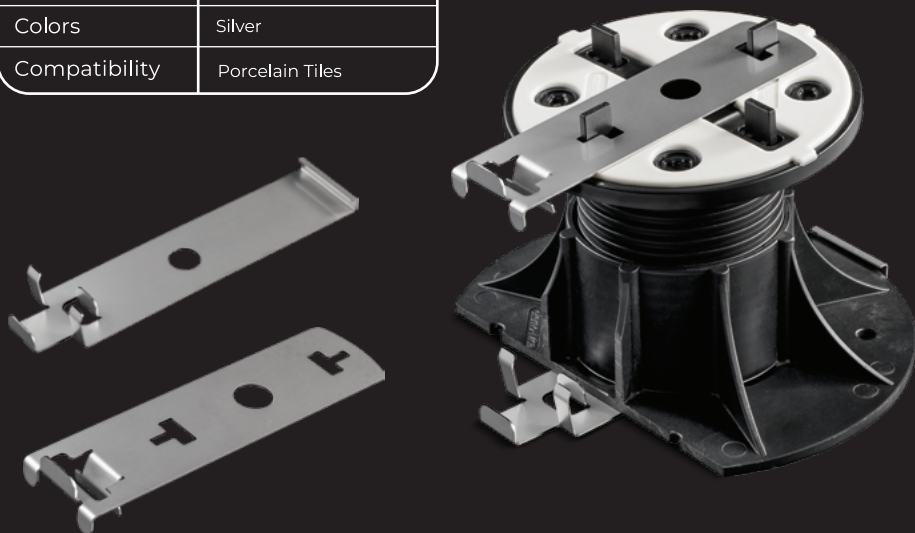


3310 N. Benzing Road
Orchard Park, NY 14127



SPECIFICATIONS

Material	Satinless-Steel
Dimensions	6.76" L x 1" H x 1.57" D
Colors	Silver
Compatibility	Porcelain Tiles



800.828.8424
www.mrpsupports.com

VERTICAL CLOSURE CLIPS

Installation Instructions



Pedestal Accessories

**STEP
#1**

PREP THE PEDESTALS

Turn over the pedestal and cut the pedestal, along the grooved lines, on two sides so that the edge is flat.



**STEP
#2**

BOTTOM CLIP

Place the bottom clip on the pedestal so that the clip is protruding out from the base.

**STEP
#3**

TOP CLIP

Flip the pedestal back over upright and remove the spacer tabs on the top of the head. Then place the top clip onto the pedestal.



**STEP
#4**

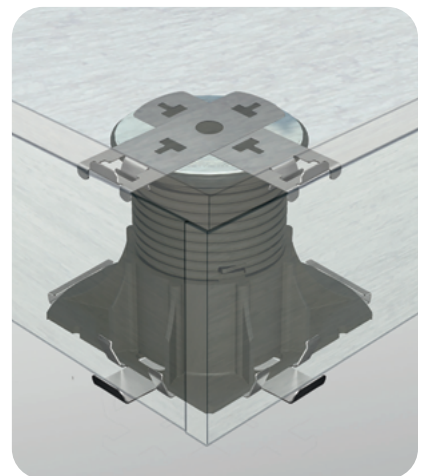
PEDESTALS

Line up and place the pedestals where you need them

**STEP
#5**

PORCELAIN TILE

Measure from the bottom to the top of the pedestal and cut your porcelain tile to size. Vertically place the tiles in the bottom clip and then into top clip and continue to great your edge. You do not need any adhesive to hold into place.



**STEP
#6**

LEVEL

Use the adjustment key to level the tiles horizontally and place the porcelain tiles on top. You will have a finished edge where there is no wall present.

800.828.8424
www.mrpsupports.com