

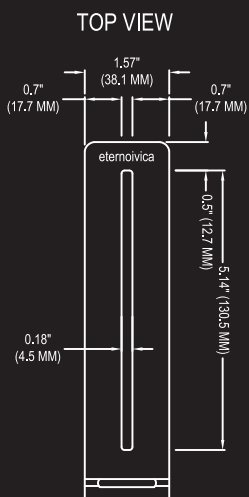


The Slab Edge Perimeter Spacer was designed to avoid contact between the terrace pavers and the outside perimeter walls. The Slab Edge Perimeter Spacer is made of stainless-steel and incorporates a damper to absorb expansion and guarantees a secure grip. The use of the spacers ensures a stable floor surface with a straight and elegant perimeter.



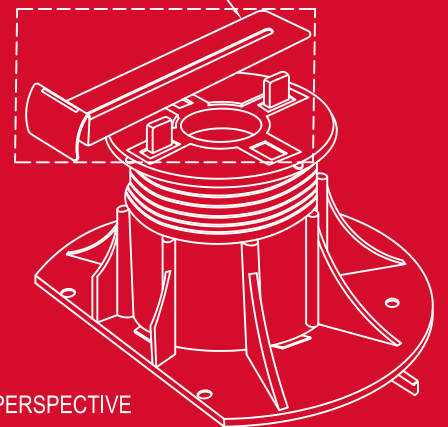
SPECIFICATIONS

Material	Satinless-Steel
Dimensions	6.76" L x 1" H x 1.57" D
Colors	Silver
Compatibility	Porcelain Tiles

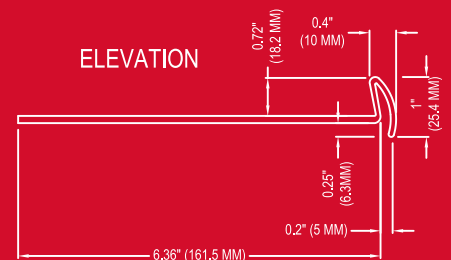


Specifications

PERIMETER EDGE CLIP



ELEVATION



3310 N. Benzing Road
Orchard Park, NY 14127

800.828.8424
www.mrpsupports.com

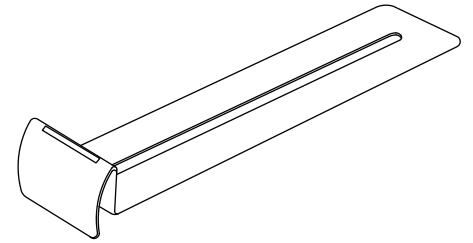
SLAB EDGE PERIMETER SPACER Installation Instructions



Pedestal Accessories

STEP #1 PREP THE PEDESTALS

Turn over the pedestal and cut the pedestal, along the grooved lines, on one side so that the edge is flat.



STEP #2 SPACER

Flip the pedestal back over upright and remove two spacer tabs on the top of the head. Then place the spacer onto the pedestal.



STEP #3 PEDESTALS

Line up and place the pedestals where you need them.



STEP #4 FINISH

Place porcelain tiles on spacers on top of pedestals.



800.828.8424
www.mrpsupports.com